

# Mobile Base for UniDocks and UniLock Risers



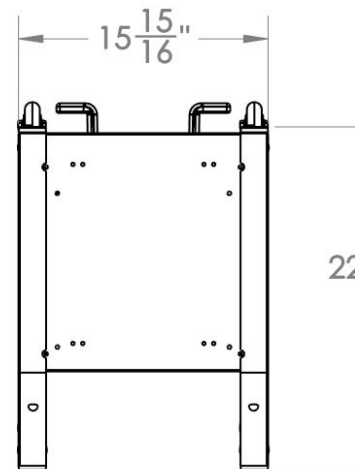
## Model #DS-UD-BASE

### Item #16787

- Designed to hold UniDocks with or without UniLock risers (shown with)
- Cold rolled steel; powder coat white
- 3" swiveling casters; 2 locking
- Overall cart dimensions: 15 15/16"W x 22 1/8"D x 23 7/8"H
- Top shelf surface dimensions: 15 15/16"W x 15 1/16"D
- Bottom shelf surface dimensions: 15 13/16"W x 10 5/16"D
- Weight: 23 lbs.
- Proudly made in the USA°



Shown with DS-UniLock2.0 and DS-UniDock-24 (sold separately)



Top view

**For More Information: 1-800-724-4339**